

快速参考指南

Quick Use Guide

HS3665 系列

无线手持式二维读码器

Wireless Handheld DPM Barcode Scanner

Ver.20231120



产品规格参数

◆ 物理性能

外形尺寸	枪体: 192.0mmx130.0mmx77.0mm 底座: 246.0mmx100.0mmx93.0mm
重量	枪体: 275g 底座: 276g

◆ 电气特性

工作电压	枪体: 4.2VDC \pm 10% 底座(供电): 5VDC \pm 5%
待机电流	150mA
工作电流	310mA
通讯接口	RS232、USB 键盘、USB 仿真串口

◆ 无线通讯与电池

电池规格	3.7V/2500mAh
续航能力	9h 以上 (间隔 2s, 平均解码 16000 次)
充电时间	6.5h
通讯距离	82m(空旷),28m (室内)
储存容量	2 万条 (13 位字符/条)

◆ 参数环境

工作温度	0° C ~ +45° C
储存温度	-10°C~+50°C
相对湿度	5%~85% 无凝结
防护等级	IP67
环境光免疫	阳光: 10000 Lux、白炽灯: 6000 Lux、 荧光灯: 2000 Lux
抗震性	可承受多次 1.2 米高度跌落到水泥地面的冲击 (允许偏转 5°)

◆ 扫描性能

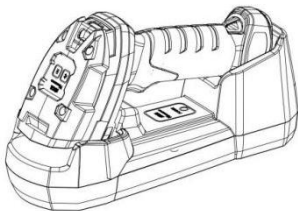
图像分辨率	1280X1024
照明光源	白色点光源/红色面光源/蓝色面光源
瞄准方式	激光瞄准
视场角	44° (水平) , 34° (垂直)
读取方向	仰角±60° , 斜角±55°
可读取条码类型	可识读符合国家标准和国际标准 的 1D、2D 及堆叠码
最高阅读精度	一维码: 3mil, 二维码: 4mil

◆ 扫描距离参数 (单位 mm)

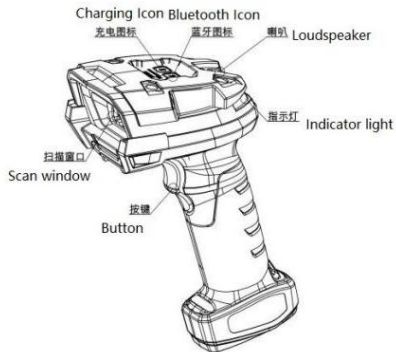
阅读距离	最近距离	最远距离
3.34mil Code 128	25	123
5mil Code 128	22	179
10mil Code 128	6	287
15mil Code 128	6	384
5mil DataMatrix	35	103
6.67mil DataMatrix	25	125
10mil DataMatrix	5	243
15mil DataMatrix	5	254

产品示意图

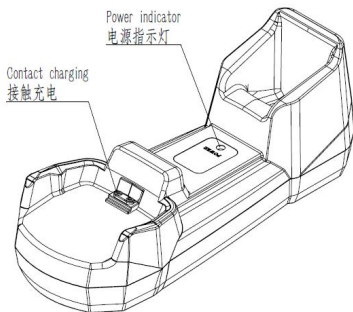
整体外观



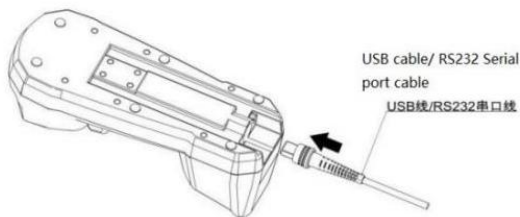
主机部分



通讯底座



底座连接办法

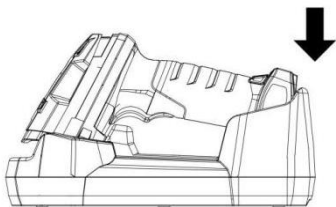


如果是 RS232 线缆，还需要在线缆上接入 5VDC 的电源

开机/与底座配对连接办法

主机待机后，按下触发按键即可开机

把主机插入底座即可进行配对连接和充电

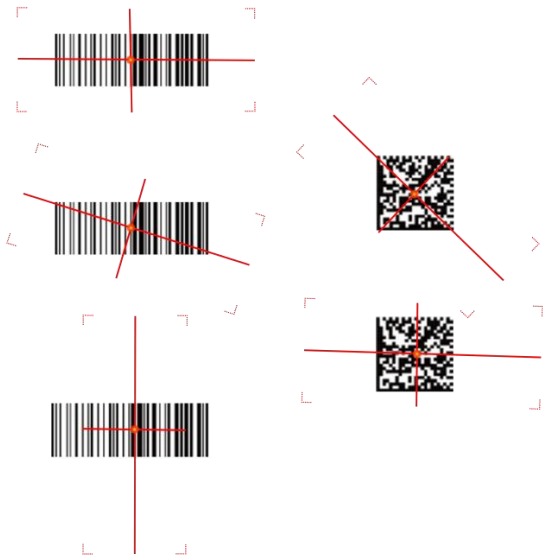


状态说明

描述	LED指示灯	声音提示	震动提示
读码器			
开机（底座没有上电）	蓝牙图标亮一下蓝灯	喇叭响一声	震动一下
蓝牙连接中	蓝牙图标蓝灯闪烁	滴滴两声（刚配置完）	\
蓝牙连接	蓝牙图标蓝灯长亮	滴一声 （底座上电通讯）	\
蓝牙断开连接	蓝牙图标蓝灯熄灭	滴滴两声	\
解码成功	绿灯闪一下（上盖后面）	滴一声	震动一下
传输失败	蓝牙图标蓝灯快速闪三下，绿灯闪一下（上盖后面）	滴滴滴三声	震动一下
充电中	电量图标红灯长亮	\	\
电量不足	\	滴滴滴五声	
满电	红灯熄灭	\	\
底座			
正常上电	蓝灯长亮		

读取技巧

阅读器发出的红色瞄准光束应位于条码正中或者穿越条码，下列图示是几种正确的瞄准方式。



阅读器越接近条码，瞄准光束越小；阅读器越远离条码，瞄准光束越大。如果条码较小，应使阅读器靠近条码；如果条码较大，阅读器应离条码远一点，这样更容易正确读取条码。

如果条码反射率较高（例如，镀膜的），您可能需要以某一角度倾斜阅读器，以便扫描条码。

接口



%%SpecCodeR7

RS232 接口



%%SpecCodeR4E

USB 仿真串口



USB 键盘口: (USB 键盘口设置步骤 1)



USB 键盘口: (USB 键盘口设置步骤 2)

串口波特率配置



9600



19200



38400



57600



11520

后缀

添加回车后缀 (CR)



为所有码制添加回车后缀

添加换行后缀 (LF)



为所有码制添加换行后缀

添加回车换行后缀 (CR+LF)



为所有码制添加回车换行后缀

删除所有后缀



清除所有码制后缀

手机模式读取

支持纸质、手机屏幕及电脑屏幕自适应读取，在某些特殊场合，可以把设备设置为手机模式以便更易读取屏幕，在该种模式下，在外界光照较差时，读取纸质条码性能变差。



手机屏幕 - 手持读取模式

感应模式

在感应模式下，打开低照明以检测是否有条码经过，在探测到有条码时，打开照明灯读取条码。



感应模式

手动触发模式

若需要关闭感应模式，可以把设备设置为手动触发模式，此模式下，需要触发按键扫描条码。



手动触发模式

照明光源设置



开启白色照明光源



关闭白色照明光源



开启红色照明光源



关闭红色照明光源



开启蓝色照明光源



关闭蓝色照明光源

码制

注：码制全部开启和关闭需扫描两个设置码



所有码制开启步骤 1



所有码制关闭步骤 1



所有码制开启步骤 2



所有码制关闭步骤 2



Codabar 码 开



Codabar 码 关



Code 39 开



Code 39 关



Interleaved 2 of 5 开



Interleaved 2 of 5 关



Code 128 开



Code 128 关



GS1-128 开



UPC-A 开



GS1-128 关



UPC-A 关



UPC-E1 开



UPC-E1 关



EAN/JAN-13 开



EAN/JAN-13 关



PDF417 开



PDF417 关



QR Code 开



QR Code 关



Data Matrix 开



Data Matrix 关



Aztec Code 开



Aztec Code 关

恢复出厂设置

此设置条码只在阅读器无法正常工作并扫描标准产品设置条码仍无效后，才允许扫描。



%%SpecCode93

恢复出厂设置

样例条码



1 2 3 A B C
Code 39



A B C D 1 2 3 4
Code 128



0 12345 67890 5
UPC A



9 783456 789019
EAN-13



A 1 2 3 4 5 6 7 8 B
Codabar



5 5 6 7 8 9 0 1 2 3
Interleaved 2/5



PDF 417



Postnet



Micro PDF



Data Matrix



Aztec



QR Code

日常维护

1.经常清洁条码扫描器

如果条码阅读器的阅读窗口不干净，阅读器的性能会下降。当窗口明显可见脏或者条码阅读器读取效率不是很好时，可以用软布或蘸少许水的擦镜布擦拭一下窗口。

2.经常检查条码阅读器的连接端和连接线缆

条码阅读器连接端或连接线缆的损坏会影响到条码阅读器的正常工作，当发现其损坏时，请及时更换。

售后服务

当用户遇到难以解决的问题时，可通过我们的服务热线寻求解决。

法律声明

infoscan 商标和标志是南京比邻智能识别有限公司在中国区域的注册商标

本文档属于南京比邻智能识别技术有限公司版权所有，在未经书面许可的情况下，不得对此文档的任何一部分进行复制，修改或纳入其他检索系统中；不得以任何形式、通过任何办法对此文档进行传播，不得将此文档用于任何违法或违规目的

此文档中的图片仅供参考，如有个别图片与实际产品不符，请以实际产品为准。对于本产品的改良更新，南京比邻智能识别技术有限公司保留随时修改文档而不另行通知的权力

对于此文档中所包含的技术上或者编辑方面的错误，以及由于使用此文档而导致的附带损失或相关后果，南京比邻智能识别技术有限公司概不负责

南京比邻智能识别技术有限公司对本声明具有最终解释权

电源

本产品仅可以使用 infoscan 原装直流电源适配器使用，或由厂家人员验证并授权使用的直流电源及其他电源装置

产品 LED 部分使用事项

请务必遵守以下事项，否则可能会导致人体（眼睛或皮肤）伤害：

- 本请勿直接注视 LED 光及镜面反射光
- 请勿自行拆解、修理、改造本产品
- 请勿使用光学仪器（如放大镜，显微镜等）观察设备 LED 光
- 按照说明书规定的步骤进行控制和调节

产品激光部分使用事项

请务必遵守以下事项，否则可能会导致人体（眼睛或皮肤）伤害：

- 本产品可能包含一个用于定位读码器的瞄准激光源
- 请勿自行拆解、修理、改造本产品
- 按照说明书规定的步骤进行控制和调节

产品安全使用事项

- 连接或断开电源和线缆时，请务必先关闭电源
- 连接连接器时，请在插入时避免倾斜，切实紧固。如果没有拧紧，震动等可能造成连接器松动，出现接触不良
- 请勿拆卸或改装本产品，这样做可能对产品本体造成损坏，并且无法享受保修及维修服务
- 将设备和线缆尽可能远离高压线路和电力线缆。否则可能导致产品故障或电缆故障
- 请勿让水，油，腐蚀性物体或其他异物黏合在产品上，这样可能会导致读取错误或损坏产品。请使用柔软的干布或浸入酒精的软布擦拭产品上的任何物质
- 启动和使用本产品前，请确保验明本产品在功能和性能方面运行正常



Technical Specifications

◆ Physical Properties

Dimensions	Reader: 192.0mmx130.0mmx77.0mm Base: 246.0mmx100.0mmx93.0mm
Weight	Reader: 275g Base: 276g

◆ Electrical Characteristics

Operating Voltage	Reader: 4.2VDC \pm 10 Base (Power supply): 5VDC \pm 5%
Standby Current	150mA
Operating Current	310mA
Communication Interface	RS232, USB Keyboard, USB Simulated Serial port

◆ Wireless Communication and Battery

Battery Specifications	3.7V/2500mAh
Battery Endurance	Over 9 hours (triggered every 2 seconds, decoding over 16000 times in average)
Charging Time	6.5h
Communication Distance	82m (Open) 28m (Indoor), Storage support
Storage Capacity	20,000 pcs (13-bit Character/pc)

◆ Environment of Parameters

Operating Temperature	0° C ~ +45° C
Storage Temperature	-10°C ~ +50°C
Relative Humidity	5%~85% Non-condensing
IP Rating	IP67
Ambient Light Immunity	Sunshine: 10000 lux, Incandescent lamp: 6000 lux, Fluorescent lamp: 2000 lux
Drop Resistance	Withstand multiple impacts of falling from a height of 1.2 meters onto the cement floor (allowable deviation of 5°)

◆ Reading Performance

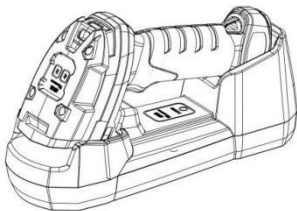
Image Resolution	1280X1024
Illumination Source	White point light source/ Red surface light source / Blue surface light source
Aiming Mode	Laser aiming
Viewing Angle	44° (Horizontal) 34°(Vertical)
Reading Direction	Angle of elevation $\pm 60^\circ$, Oblique angle $\pm 55^\circ$
Readable Code Symbologies	1D, 2D and stacked codes that comply with national and international standards
Maximum Reading Accuracy	1D code: 3mil, 2D code: 4mil

◆ Reading Distance Parameters (Unit: mm)

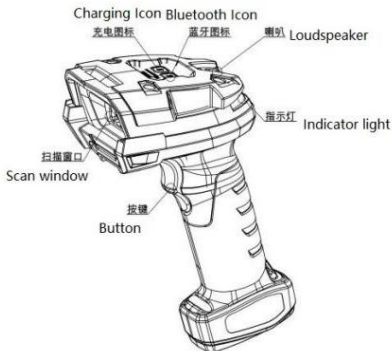
Reading Distance	Nearest	Farthest
3.34mil Code 128	25	123
5mil Code 128	22	179
10mil Code 128	6	287
15mil Code 128	6	384
5mil DataMatrix	35	103
6.67mil DataMatrix	25	125
10mil DataMatrix	5	243
15mil DataMatrix	5	254

Product General View

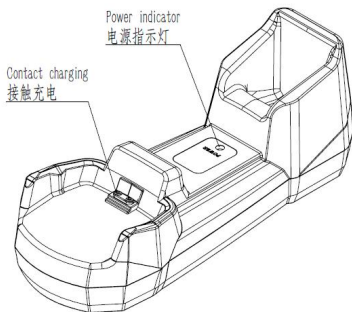
Overall Look



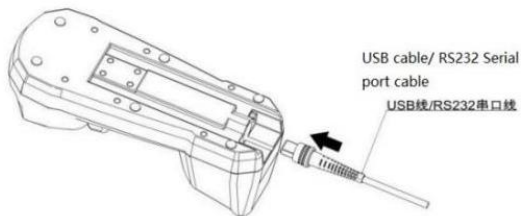
Host



Communication Base



Connection of Base

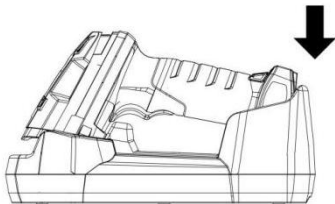


If it is RS232 cable, a 5VDC power supply needs to be connected with the cable.

Startup / Pairing Method With Base

When the host is in standby mode, press the trigger button to start it.

Plug the host into the base for pairing connection and charging.



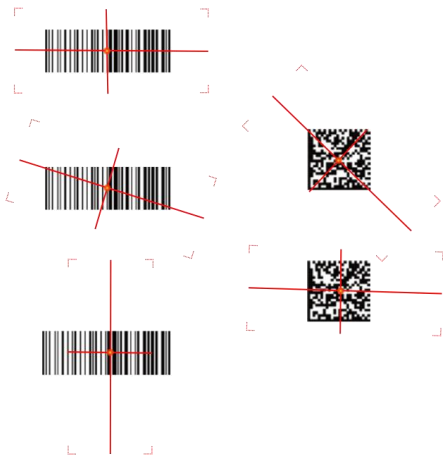
Status Description

Description	LED Indicator	Beep Prompt	Shake Prompt
Reader			
Power up the reader (base not powered on)	Bluetooth icon lights up once with blue light	Beep once	Shake once

Bluetooth connection in progress	Blue light of Bluetooth icon flashes	Beep twice (Just finished configuring)	\
Bluetooth is connected	Blue light of Bluetooth icon is long-lasting on	Beep once (the base is powered on for communication)	\
Bluetooth is disconnected	Blue light of Bluetooth icon goes out	Beep twice	\
Decoding is successful	Green light flashes once (rear part of the upper cover)	Beep once	Shake once
Transmission fails	The blue light of the Bluetooth icon flashes three times and the green light flashes once (rear position of the upper cover)	Beep three times	Shake once
Charging	The red light of the battery power icon is long-lasting on	\	\
Low battery	\	Beep five times	
Full of power	Red light goes out	\	\
Base			
Normal powered on	Blue light is long-lasting on		

Barcode Reading Skills

The cross red aiming laser emitted by the reader should be located in the center of the barcode or pass through the barcode. The following illustrations are several correct aiming methods.



The closer the reader is to the barcode, the smaller the aiming range of the laser; The farther the reader is away from the barcode, the larger the aiming range of the laser. If the barcode is small, the reader should be placed close to the barcode; If the barcode is large, the reader should step away from the barcode to make it easier to read correctly.

If the barcode has a high reflectivity (such as coated), you may need to tilt the reader at an angle to scan the barcode.

Interface



RS232 Interface



USB Simulated Serial port



USB Keyboard port
(Step 1 of USB keyboard port setting)



USB Keyboard port
(Step 2 of USB keyboard port setting)

RS232 Baud Rate Setting



9600



19200



38400



57600



11520

Suffix

Add LF suffix



Add LF suffix for all code systems

Add CR suffix



Add CR suffix for all code systems

Add CR and LF suffix



Add CR and LF suffix for all code systems

Clear suffixes



Clear suffixes for all code systems

Mobile Phone Mode Reading

Supports adaptive reading of paper, mobile screen and computer screen. In some special situations, the device can be set to mobile phone mode to make it easier to read the screen. In this mode, the performance of reading paper barcodes deteriorates when the external light is poor.



Mobile phone screen - handheld reading mode

Sensing Mode

In sensing mode, turn on low lighting to detect if a barcode has passed by. When a barcode is detected, turn on the lighting to read the barcode.



Sensing mode

Manual Triggering Mode

If the sensing mode needs to be turned off, the device can be set to manual triggering mode, in which the button needs to be triggered to scan the barcode.



Manual triggering mode

Illumination Source Settings



Turn on white LED



Turn off white LED



Turn on red LED



Turn off red LED



Turn on blue LED



Turn off blue LED

Code Systems

Note: There are two setting codes need to be read to enable and disable all the symbologies.



All symbologies on step 1



All symbologies off step 1



All symbologies on step 2



All symbologies off step 2



Codabar on



Codabar off



Code 39 on



Code 39 off



Interleaved 2 of 5 on



Interleaved 2 of 5 off



Code 128 on



Code 128 off



GS1-128 on



UPC-A on



GS1-128 off



UPC-A off



UPC-E1 on



UPC-E1 off



EAN/JAN-13 on



EAN/JAN-13 off



PDF417 on



PDF417 off



QR Code on



QR Code off



Data Matrix on



Data Matrix off



Aztec Code on



Aztec Code off

Restore Factory Settings

This setting barcode is only allowed to be scanned when the reader is unable to function properly and reading standard setting barcode is useless.



%%SpecCode93

Restore Factory settings

Sample Barcodes



1 2 3 A B C
Code 39



A B C D 1 2 3 4
Code 128



0 12345 67890 5
UPC A



9 783456 789019
EAN-13



A 1 2 3 4 5 6 7 8 B
Codabar



5 5 6 7 8 9 0 1 2 3
Interleaved 2/5



PDF 417



Postnet



Micro PDF



Data Matrix



Aztec



QR Code

Routine Maintenance

1.Clean the barcode reader frequently

If the reading window of the barcode reader is not clean, the performance of the reader will decrease. When the window is visibly dirty or the barcode reader reading efficiency is not very good, you can use a soft cloth or a mirror wiping cloth dipped in a little water to wipe the window.

2.Regularly check the connection end and cable of the barcode reader

Damage to the connecting end or cable of the barcode reader may affect its normal operation. When damage is found, please replace it promptly.

After-sale Service

When users encounter problems difficult to solve, they can seek solutions through our service hotline.

Legal Notice

infoscan trademark and logo are registered trademarks of Nanjing Bilin Intelligent Identification Technology Co., Ltd. (hereinafter referred to as “Bilin Intelligence”) within the territory of the People's Republic of China.

This document belongs to Bilin Intelligence. All rights reserved. Without written permission, no part of this document may be copied, modified or included in other retrieval systems; This document shall not be disseminated in any forms or by any means, and shall not be used for any illegal or irregular purpose.

The images in this document are for reference only. If there are images that do not match the actual product, please refer to the actual product. Bilin Intelligence reserves the right to modify the product documentation at any time without further notice.

Bilin Intelligence shall not be responsible for any technical or editorial errors contained in this document, as well as any incidental losses or related consequences caused by the use of this document.

Bilin Intelligence has the final right to interpret this statement.

Power Supply

This product can only be used with the original infoscan DC power adapter, or DC power supplies and other power devices verified and authorized by Bilin Intelligence's personnel.

Instructions For Using LED

Please be sure to follow the below precautions, otherwise it may cause harm to human body (eyes or skin):

- Please follow the steps specified in the manual for control and adjustment, otherwise, it may cause dangerous LED radiation.
- Do not directly gaze at LED light and specular reflection light.
- Do not disassemble, repair or modify this product on your own.
- Do not use optical instruments (such as magnifying glasses, microscopes, etc.) to observe the LED light of the device.
- Control and adjust according to the steps specified in the manual.

Instructions For Laser Use

Please be sure to follow the below precautions, otherwise it may cause harm to human body (eyes or skin):

- This product may include an aiming laser source for positioning the barcode reader.
- Do not disassemble, repair or modify this product on your own.

- Control and adjust according to the steps specified in the manual.

Product Safety Precautions

- Be sure to turn DC power off before connecting or disconnecting the power supply and cables.
- Insert the connector straightly to avoid tilting and tighten it securely. Under-tightening can lead to a loose connector due to vibrations, result in poor contact.
- Do not disassemble or modify this product, as this may cause damage to the product and result in the inability to enjoy warranty service.
- Keep equipment and cables as far away from high-voltage lines and power cables as possible. Otherwise, it may lead to product failure or cable failure.
- Do not allow water, oil, corrosive objects or other foreign objects to stick to the product, as this may cause reading errors or damage to the product. Please use a soft dry cloth or a soft cloth soaked with alcohol to wipe any foreign substances on the product.
- Before using this product, please ensure that it operates normally in terms of functionality and performance.

南京比邻智能识别技术有限公司

NANJING BILIN INTELLIGENT IDENTIFICATION TECHNOLOGY CO., LTD.